

## **HIGH EAVE (SCULPTURED)**

EH8000-HIGH EAVE

EH8100-HIGH EAVE (SCULPTURED) WITH EAVE STRUT

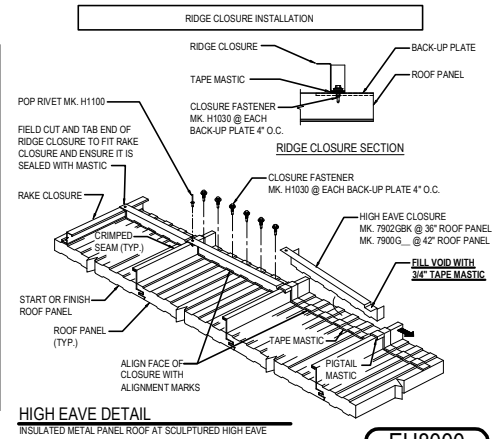
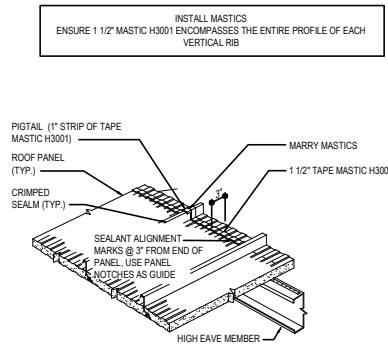
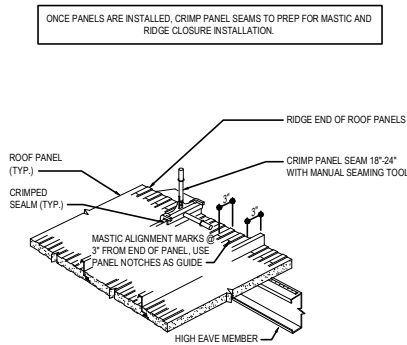
EH8110-HIGH EAVE (SCULPTURED) WITH HIGH EAVE GIRT

EH8200-HIGH EAVE CORNER

---

### EH8000 - HIGH EAVE

[Download the DWG file by clicking here.](#)



### Detailer Notes:

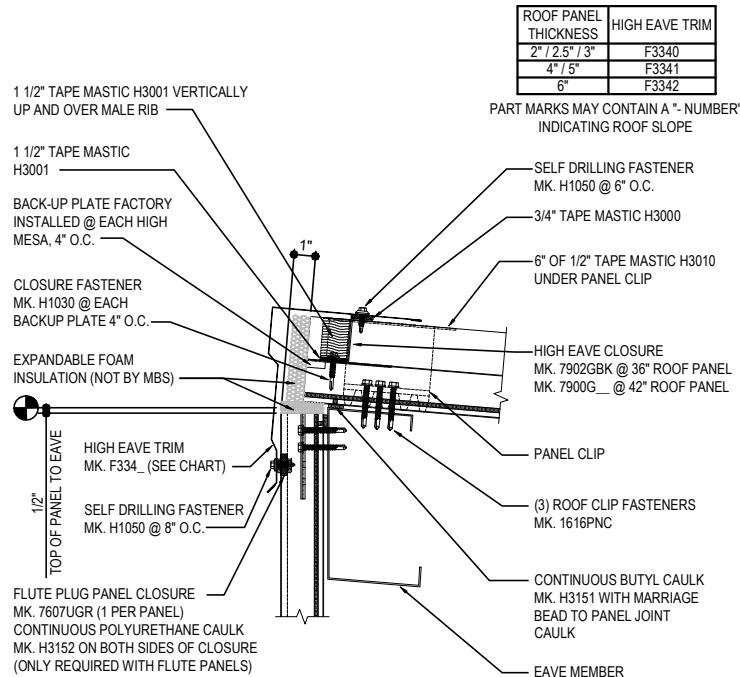
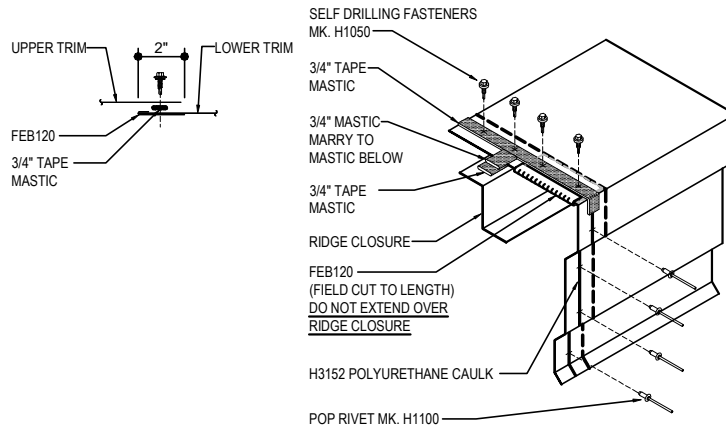
- 1) N/A

### EH8100 - HIGH EAVE (SCULPTURED) W/ EAVE STRUT

[Download the DWG file by clicking here.](#)

#### HIGH EAVE LAP & FLASHING BACKER

SLIDE FIELD CUT SECTION FLASHING ENDLAP BACKER ONTO THE LOWER TRIM PIECE. PLACE TAPE MASTIC NEXT TO HEM OF THE BACKER (NOT ON TOP OF HEM). APPLY CONTINUOUS BEAD OF CAULK 1" FROM END OF TRIM DOWN PROFILE OF TRIM. FASTEN LAP WITH STITCH FASTENERS AND POP RIVETS AS SHOWN.



#### HIGH EAVE STRUT

INSULATED METAL PANEL ROOF AT HIGH EAVE

**EH8100**

#### Detailer Notes:

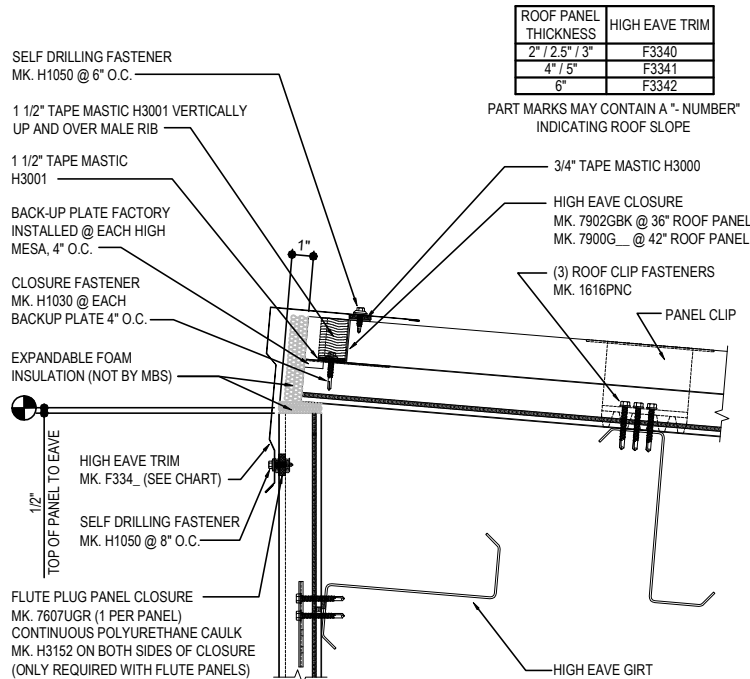
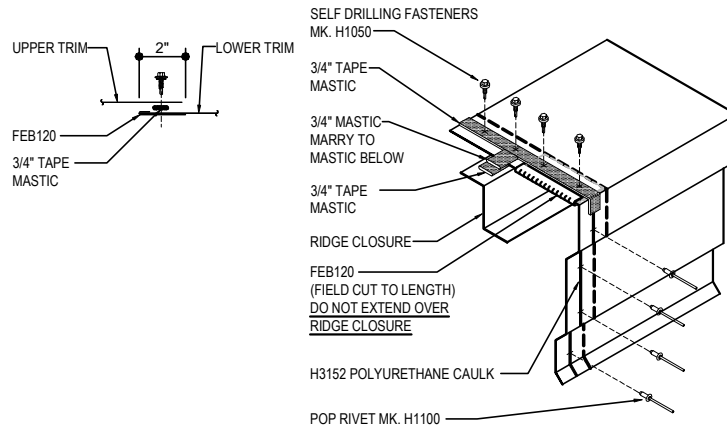
1) N/A

### EH8110 - HIGH EAVE (SCULPTURED) W/ HIGH EAVE GIRT

[Download the DWG file by clicking here.](#)

#### HIGH EAVE LAP & FLASHING BACKER

SLIDE FIELD CUT SECTION FLASHING ENDLAP BACKER ONTO THE LOWER TRIM PIECE. PLACE TAPE MASTIC NEXT TO HEM OF THE BACKER (NOT ON TOP OF HEM). APPLY CONTINUOUS BEAD OF CAULK 1" FROM END OF TRIM DOWN PROFILE OF TRIM. FASTEN LAP WITH STITCH FASTENERS AND POP RIVETS AS SHOWN.



#### HIGH EAVE GIRT

INSULATED METAL PANEL ROOF AT HIGH EAVE

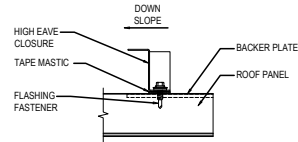
**EH8110**

#### Detailer Notes:

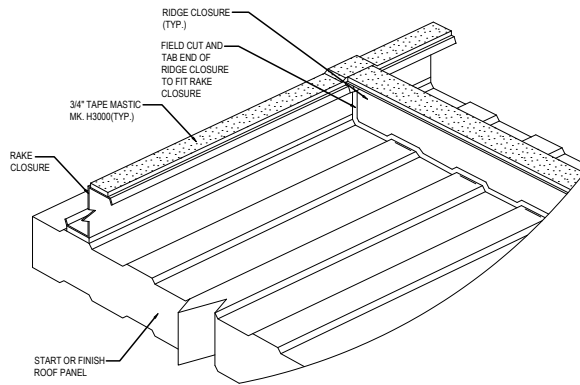
1) N/A

### EH8200 - HIGH EAVE CORNER DETAIL

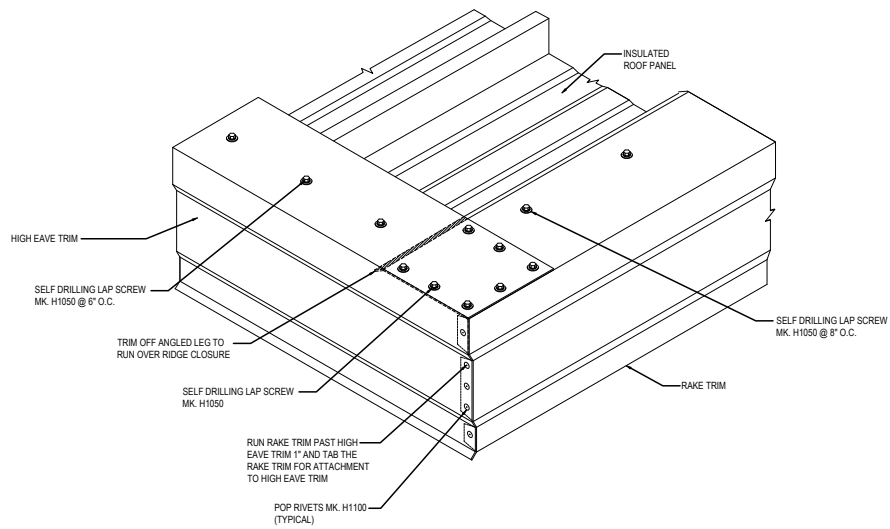
[Download the DWG file by clicking here.](#)



**HIGH EAVE CLOSURE SECTION**



**RIDGE CLOSURE TERMINATION DETAIL**



**HIGH EAVE CORNER DETAIL**

**EH8200**

**Detailer Notes:**

- 1) N/A